



Stairfriend Stairlift



Owner's Manual

(To Be Retained by Owner After Installation
by Authorized Savaria Dealer)

Part No. 000914
03-m12-2013

IMPORTANT

Ensure that only an authorized Savaria Dealer installs and services the Savaria Stairfriend Stairlift. Under no circumstances is anyone other than a dealer with Savaria training and authorization to install, adjust, or service any mechanical or electrical device on this equipment. Failure to follow this warning can result in safety system compromises or defeat; this can result in serious injury or death. Savaria accepts no liability for property damage, warranty claims or personal injury, including death, in this circumstance.

Passenger safety is the result of countless details in the equipment's design, manufacture, and installation. After installation, reliable operation and continual safe operation requires regular service and inspection at least twice per year, or more frequently where usage, environment, or local jurisdiction requires. As the Owner, you are responsible for ensuring that regular service and inspections occur in a timely manner.

Refer to this manual for specifications, operating instructions and maintenance of the Savaria Stairfriend Stairlift.

Upon completion of installation, the dealer must provide you with the information below and ensure it is recorded in this manual. In addition, either the dealer or you must keep any service and/or maintenance records in the Maintenance Record section of this manual.

WARRANTY

Ensure your Savaria Dealer provides you with a copy of the manufacturer's limited parts warranty and documentation relating to any Dealer labour warranty.

FOR OWNER'S RECORDS
Customer Name: _____
Installing Dealer: _____
Dealer's Telephone Number: _____
Date Installed: _____
Serial/Job Number: _____

Table of Contents

TO ENSURE SAFE OPERATION	4
1. DESCRIPTION	5
2. SPECIFICATIONS	6
3. FEATURES	7
Seating Features	7
Safety Features	7
Footrest and Carriage Sensors	7
Safety Switches	7
Emergency Stop Button (Optional)	7
Overspeed Brake (Optional)	7
Key Switch and Power Switch	8
4. OPERATION	9
Before Operating the Stairlift	9
Operating the Stairlift	9
Emergency Stop	9
Emergency Manual Operation.....	10
5. TROUBLESHOOTING AND MAINTENANCE	11
Operator Troubleshooting	11
Stairlift Will Not Operate	11
Stairlift Emits Beeping Sound	11
Stairlift Stops at Either End of Stairway and Won't Restart	11
Diagnostics	12
Maintenance	14
Maintenance Record	15

TO ENSURE SAFE OPERATION

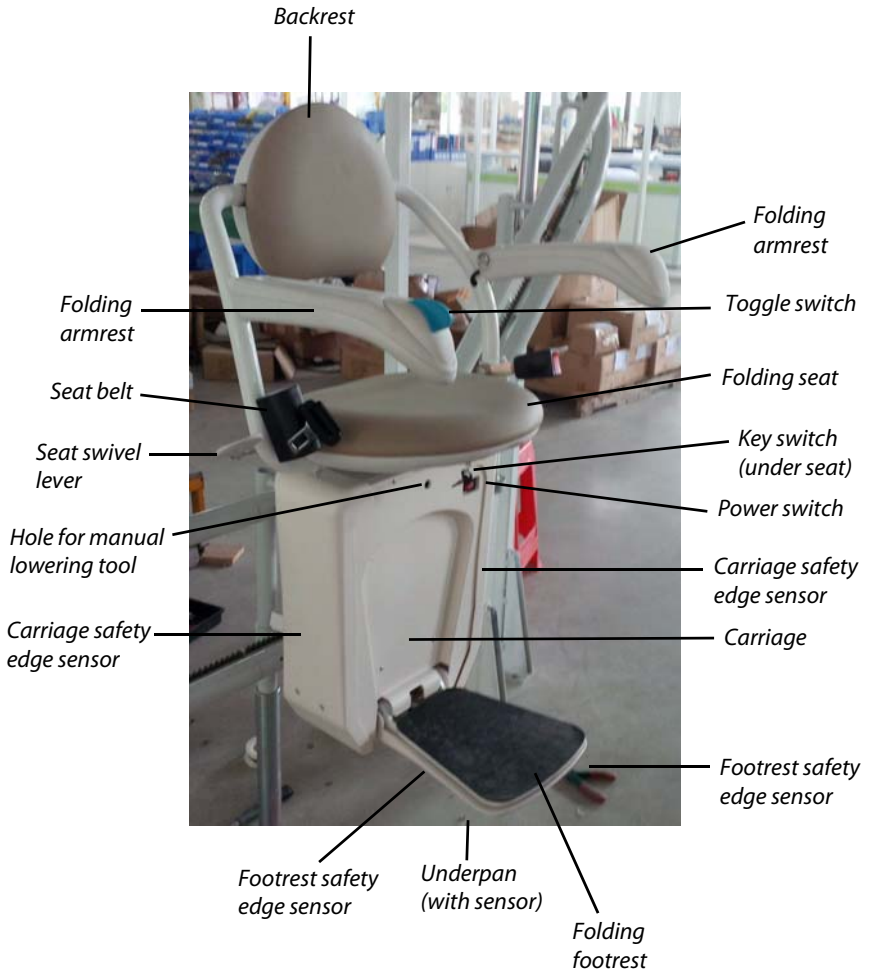
To ensure safe operation of this equipment, pay careful attention to the important notes below.

- Read this manual carefully before using the Stairfriend Stairlift.
- To prevent accidents, adhere strictly to the instructions in this manual and keep clear of moving parts at all times.
- Follow instructions on all equipment labels at all times. Replace any damaged labels immediately.
- Ensure that only qualified personnel perform maintenance.

1. DESCRIPTION

Figure 1 shows the exterior components of the Stairfriend.

Figure 1



2. SPECIFICATIONS

Stairfriend Specifications

Applications	Residential, indoor, curved stairs Commercial - varies by region; contact your authorized Savaria dealer for details
Load capacity	350 lb (160 kg)
Maximum travel	32 ft (9.75 m)
Travel speed	20 ft/min (0.1 m/s); 12 ft/min (0.06 m/s) at bends
Range of incline	0° to 52°
Drive system	Rack and pinion
Operator controls	Constant-pressure type (toggle switch and remote control call/send units)
Seat belt	Retractable
Motor	1/2 HP, 24 VDC
Charging	Charges on standard household power (110 VAC) at landings
Fold-up width	14 1/2" (37 cm)
Fold-out width	25 1/2" (64.5 cm)
Rail	Steel
Emergency operation	Full up and down travel on power interruption (full battery backup)
Warranty	36 months parts, ask dealer for details

3. FEATURES

Seating Features

The seat assembly can swivel in either direction. To swivel the seat for transfer in or out of the seat, lift up and hold the swivel lever (located on either side of the seat). When you let go of the lever, the seat will lock in position. **For your safety, do not swivel the seat until the unit has stopped.**

When the stairlift is not in use, the seat, armrests, and footrest can be folded up to allow for more space on the stairway.

Always use the retractable seat belt to ensure that you are safely secured in the chair during travel.

Safety Features

Footrest and Carriage Sensors

There are safety edge sensors on the sides of the footrest and the carriage, and an underpan sensor on the bottom of the footrest. These sensors will stop the stairlift if an obstruction is encountered on the stairway.

If you encounter an obstruction, press the opposite side of the toggle switch to run the stairlift in the opposite direction. Remove the obstacle from the pathway and proceed in the original direction of travel.

Safety Switches

There are upper and lower safety limit switches to stop the stairlift when it reaches the top or bottom of the stairway. There are also mechanical stops at the top and bottom of the rail to stop the lift in an over-travel situation.

A safety switch for the swivel seat prevents the stairlift from running if the seat is not locked in the riding position.

Emergency Stop Button (Optional)

There is an optional emergency stop button that would be located on the arm. Pressing this button will stop the unit immediately.

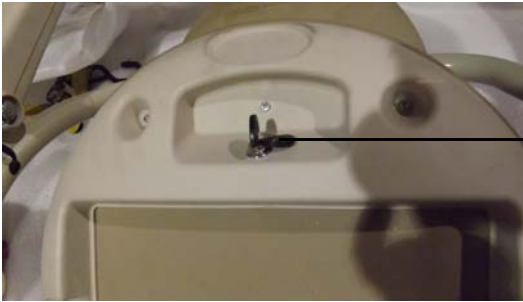
Overspeed Brake (Optional)

There is an optional overspeed brake that will engage and stop the lift if the normal downward travel speed is exceeded.

Key Switch and Power Switch

The stairlift is equipped with a key switch underneath the seat. The stairlift cannot be operated unless the key is inserted and turned to the ON position. Once the key switch is turned on, flip the red ON/OFF power switch located on the front top left of the carriage to the ON position.

Figure 2



*Key switch
(under seat)*

4. OPERATION

Before Operating the Stairlift

- 1 Ensure the stairway is clear of any obstructions and the stairlift charger is plugged in at the wall.
- 2 Insert the key and turn it a quarter turn clockwise. Flip the ON/OFF switch to the ON position.
- 3 Check that the seat is locked in the riding position for up/down travel.

Operating the Stairlift

- 1 If the stairlift is not at the required end of the stairway, use one of the remote control CALL/SEND units to call or send the stairlift to the appropriate end of the rail. Be sure to point the remote at the lift.
- 2 If necessary, fold down the seat, armrests, and footrest.
- 3 Use the seat swivel lever to swivel the seat toward you and then let go of the lever to lock the seat in place.
- 4 Position yourself in the seat and fasten the seat belt.
- 5 Lift up and hold the seat swivel lever, and then rotate the seat so that you are parallel to the rail (with your back against the stairway wall).
- 6 Release the seat swivel lever to lock the seat in the riding position.
- 7 Position both feet securely on the footrest and place your arms on the armrest cushions.
- 8 Press and hold one end of the toggle switch (located on the front end of the right arm) to move the stairlift in the desired direction.
- 9 The stairlift will stop automatically at the upper or lower end of the rail, or if the toggle switch is released.
- 10 Once the stairlift has come to a complete stop, use the seat swivel lever to swivel the seat as required. When the seat is locked in place, unfasten the seat belt and get out of the chair.
- 11 To allow for more room on the stairway when the stairlift is not in use, swivel the seat back to the riding position, and then fold up the seat, armrests, and footrest.

Emergency Stop (Optional)

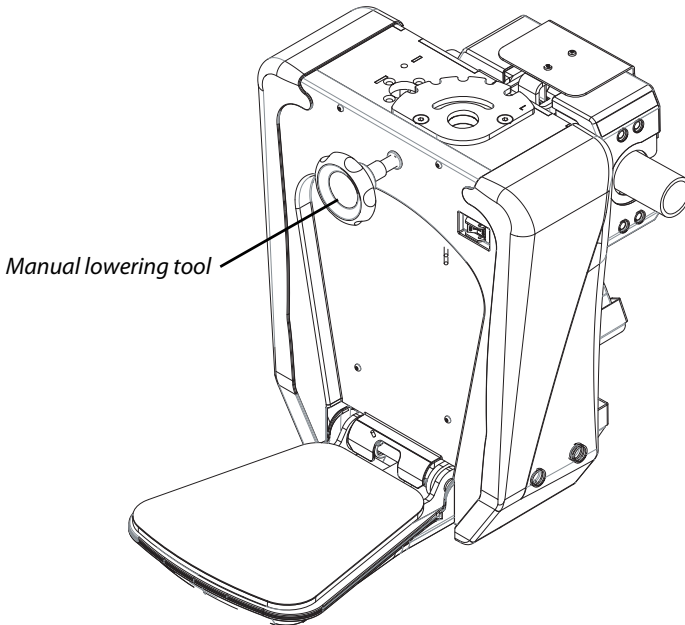
In the event of an emergency, you can press the optional red Emergency Stop button located on the arm of the chair. The stairlift will stop immediately. Once the emergency is dealt with, release the button to restore normal operation.

Emergency Manual Operation

The emergency manual lowering wheel allows you to operate the lift manually.

- 1 Turn off power at the stairlift and unplug the power cord from the wall.
- 2 Remove the rubber cover from the hole on the top front of the carriage.
- 3 Fit the shaft of the manual lowering tool onto the motor input shaft.
- 4 Rotate the tool **clockwise** for the unit to travel **up** the stairs and **counter-clockwise** for the unit to travel **down** the stairs.
- 5 When complete, remove the tool and insert the rubber plug back into the hole.

Figure 3



5. TROUBLESHOOTING AND MAINTENANCE

Operator Troubleshooting

Stairlift will not operate

If your stairlift does not operate and no lights are on, check the items listed below.

- 1 Check that the stairlift charger is plugged in at the wall.
- 2 Check that the key switch is turned ON and ON/OFF power switch is ON.
- 3 Check the residence main circuit breaker (or fuse) panel. Has a breaker tripped or a fuse blown?

If your stairlift does not operate and all of the lights are on, check the items listed below.

- 1 Check that the seat is swiveled and locked in the riding position.
- 2 Check around the footrest and carriage for any obstructions.

If the stairlift does not operate, contact your authorized Savaria dealer.

Stairlift emits beeping sound

If at any time while the stairlift is not in motion, the unit emits a beeping sound that lasts for approximately 20 seconds, this means that the stairlift is not charging.

Check first that the stairlift cord is plugged in to the wall outlet.

If the beeping continues, contact your authorized Savaria dealer.

Stairlift stops at either end of stairway and won't restart

If the stairlift runs to either end of the stairway and then stops and won't restart, this means that the battery charge is low.

Charge the stairlift.

If the problem continues, contact your authorized Savaria dealer.

Maintenance

NOTE

*The owner can perform the 3-month checks; 6-month checks **must** be performed by a qualified technician. Contact your authorized dealer.*

Units installed in adverse environments will require additional maintenance on a monthly basis.

Maintenance Schedule

Verification by owner	Frequency
Check that the swivel seat switch is working. Ensure the unit will not travel until the swivel seat is locked in the riding position.	Every 3 months
Check that the footrest and carriage sensors are working. Ensure the unit stops when it contacts an obstacle.	Every 3 months
Check that the emergency stop button is working (if installed). Ensure the unit stops immediately when the button is pressed.	Every 3 months
Verification by technician	Frequency
Check the operation of the limit switches. Ensure the unit stops at the required position at the top and bottom of the stairway.	Every 6 months
Check the operation of the overspeed brake (if installed).	Every 6 months
Lubricate the rollers using white lithium grease.	As required
Lubricate the seat swivel system using wheel bearing grease.	As required

Authorized Savaria Dealer

Savaria™ Stairfriend Stairlift OWNER'S MANUAL

Part No. 000914
Copyright © 2013

Savaria Corporation
Elevators and Lifts
www.savaria.com

Sales
2 Walker Drive
Brampton, Ontario, L6T 5E1, Canada
Tel: (905) 791-5555
Fax: (905) 791-2222
Toll Free: 1-800-661-5112

