

# WE'RE THE COMPANY THAT BRINGS YOU KATIE...



## AND KATIE BRINGS YOU THE PRISM MEDICAL P-300

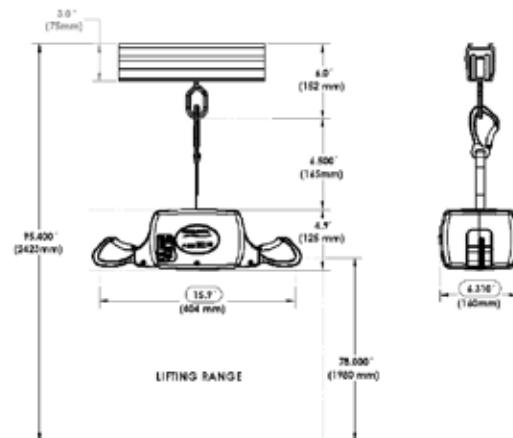
The P-300 Portable Ceiling lift has been designed and tested to the most rigorous industry standards. This lightweight economical product compromises nothing with respect to its performance. With its 300 lb. capacity and light weight design (6.7 lb.) this product will meet the needs of even the most demanding environments. As the lightest portable ceiling lift on the market, this device can be easily relocated to multiple rooms with little effort from the caregiver. This unit is designed to be used with Prism Medical's complete range of slings ensuring that regardless of the client's needs or environment, this product will address the lifting and handling issues encountered by today's caregiver.

## PRISM MEDICAL

Prism Medical  
45 Progress Parkway, Maryland Heights, MO USA 63043 | T 314.692.9135 | 1.866.891.6502  
[www.prismmedicalinc.com](http://www.prismmedicalinc.com)

# PRISM MEDICAL P-300

## PORTABLE



## WE'RE THE COMPANY THAT BRINGS YOU UNPARALLELED VALUE

The P-300 offers a significant step forward in making ceiling lifts a viable alternative to mobile lifts even when financial resources are limited. Its compact design offers caregivers the ability to easily transfer the product to multiple track locations throughout the home or facility. In addition, it offers a wide range of safety options and the unsurpassed reliability that you have come to expect from Prism Medical products.

### PRODUCT HIGHLIGHTS

- Lightweight and portable
- Integrated carry bar with optional carry bar assembly for wide torso clients
- Electric hand control with simple disconnect and emergency lowering
- Small, compact design that maximizes lifting height
- Soft start/stop provides comfortable patient transfers
- Audio and visual low battery indicator
- Auto shut off assists in conservation of battery life
- Standby time of over 90 days
- Quick charge feature ensures that it is always ready for use
- Safe working load meets the needs of 90% of population
- Built in overcharge and overcurrent protection
- Safety mechanisms: overspeed governor, built in overload protection, and slack strap sensor
- Optional carry case for ease of transport

### TECHNICAL SPECIFICATIONS

- Lift Motor: 24VDC
- Traverse: Manual
- Charger Input: 100-240 VAC, 1.0 Amps
- Charger Output: 29.4 VDC, 1.67 Amps
- Batteries: NiMH - 24 VDC (2 x 12 VDC) 1.8 AH- Custom Battery Pack
- Lift case: Flame retardant ABS
- Hand Control: Digital
- Lifting Height: Up to 78" (198 cm)
- Unit Weight: 6.7 lb. (3.2 kgs)
- Maximum Load: 300 lb. (136 kg)
- Dimensions: 7.7" (L) x 4.9" (H) x 6.3" (W)

## PRISM MEDICAL



Prism Medical  
45 Progress Parkway, Maryland Heights, MO USA 63043 | T 314.692.9135 | 1.866.891.6502  
[www.prismmedicalinc.com](http://www.prismmedicalinc.com)

For Your Convenience

